

## Handling System for Hood type Pre-wash Table with 500x400 Bowl and Strainer Right to Left, 1200mm

ITEM # \_\_\_\_\_

MODEL # \_\_\_\_\_

NAME # \_\_\_\_\_

SIS # \_\_\_\_\_

AIA # \_\_\_\_\_



865328 (PTSBHT12R)

Prewash table with  
500x400mm bowl and strainer  
for hood type, right>left,  
1200mm

### Short Form Specification

**Item No.** \_\_\_\_\_

For hood type dishwashers. Constructed in 304 AISI stainless steel with backsplash mm250h. N. 2 square 40x40mm tubular legs on height-adjustable feet. Bowl size mm500x400x250h with drain hole and strainer. Basket direction: from right to left.

### Main Features

- Supplied knocked-down and easy to assemble.
- To be secured to the dishwasher and fitted to the receiving and sorting tables at the other end.
- Plain undershelves and pre-rinse units available as optional accessories.
- Designed for 500x500 mm dishwashing racks.

### Construction

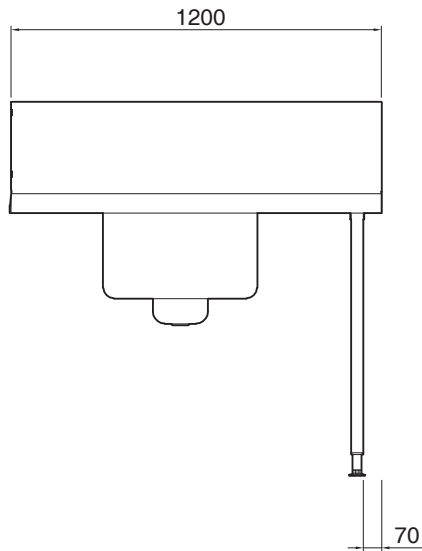
- Stainless steel feet 50 mm adjustable in height to ensure that tables drain back into the dishwasher.
- 700x500x300mm bowl available upon request.
- Included splashback to prevent water spatter.
- Deep anti-drip profiles completely folded with lower edge for safe and easy cleaning.
- All surfaces smooth with polished finish.
- 40x40 mm square tubular legs in AISI 304 stainless steel.
- Constructed entirely in 304 AISI stainless steel.

### Optional Accessories

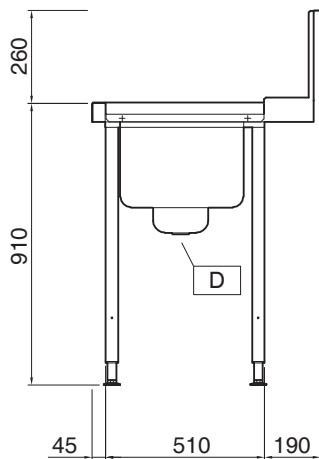
- DOUBLE HOLE DECK MOUNTED ELBOW OPERATED MIXING TEMP. FAUCET WITH PRE-RINSE UNIT PNC 855379
- DECK MOUNTED MIXING TEMPERATURE PRE-RINSE UNIT PNC 855380
- Wall mounted mixing temperature pre-rinse unit PNC 855381
- Single hole deck mounted mixing temperature pre-rinse unit PNC 855385
- Single hole deck mounted elbow operated mixing temperature faucet with pre-rinse unit PNC 855386
- Single hole deck mounted riser add-on mixing temperature faucet with pre-rinse unit PNC 855389
- Strainer basket for pre-wash table PNC 864068
- Undershef for dishwasher table, 1200 mm PNC 865352
- Floor fastening kit for 2 square legs PNC 865386
- Single plastic drain syphon 2" for sinks PNC 895313

APPROVAL: \_\_\_\_\_

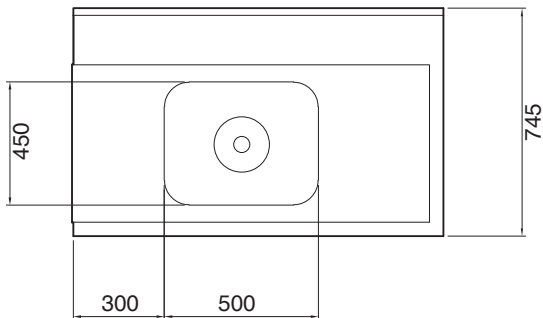
**Front**



**Side**



**Top**



**Key Information:**

External dimensions, Width:

865328 (PTSBHT12R) 1200 mm

External dimensions, Depth: 745 mm

External dimensions, Height: 1170 mm

Net weight: 10 kg

Splashback Dimensions, Height: 300 mm

Basin dimensions: 500x400x300h

Handling System for Hood type  
Pre-wash Table with 500x400 Bowl and Strainer Right to Left, 1200mm

The company reserves the right to make modifications to the products  
without prior notice. All information correct at time of printing.